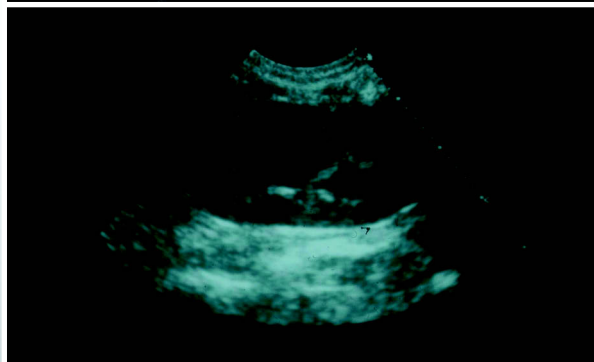
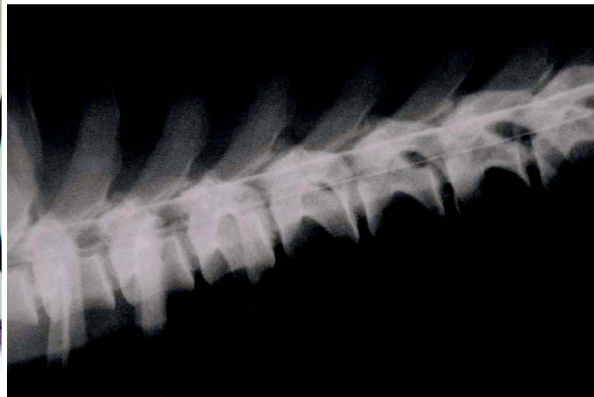


# Practical Veterinary Diagnostic Imaging

Suzanne Easton

SECOND EDITION



 WILEY-BLACKWELL



# Practical Veterinary Diagnostic Imaging

## **Companion website**

This book is accompanied by a companion website:

[www.wiley.com/go/easton/diagnosticimaging](http://www.wiley.com/go/easton/diagnosticimaging)

The website includes:

- Case studies
- All figures as powerpoint slides
- Additional anatomy X-rays
- Guideline answers to the end-of-chapter Revision Questions found in the book

# Practical Veterinary Diagnostic Imaging

Second Edition

**Suzanne Easton**

MSc, BSc (Hons), PGCertEd

*Senior Lecturer, Faculty of Health and Life Sciences,  
University of West of England, Bristol*

 **WILEY-BLACKWELL**

A John Wiley & Sons, Ltd., Publication

This edition first published 2012  
© 2002 by Reed Educational and Professional Publishing Ltd  
© 2012 by John Wiley & Sons Ltd

Wiley-Blackwell is an imprint of John Wiley & Sons, formed by the merger of Wiley's global Scientific, Technical and Medical business with Blackwell Publishing.

*Registered office:* John Wiley & Sons, Ltd, The Atrium, Southern Gate, Chichester, West Sussex, PO19 8SQ, UK

*Editorial offices:* 9600 Garsington Road, Oxford, OX4 2DQ, UK  
The Atrium, Southern Gate, Chichester, West Sussex, PO19 8SQ, UK  
2121 State Avenue, Ames, Iowa 50014-8300, USA

First published 2002

Second edition 2012

For details of our global editorial offices, for customer services and for information about how to apply for permission to reuse the copyright material in this book please see our website at [www.wiley.com/wiley-blackwell](http://www.wiley.com/wiley-blackwell).

The right of the author to be identified as the author of this work has been asserted in accordance with the UK Copyright, Designs and Patents Act 1988.

All rights reserved. No part of this publication may be reproduced, stored in a retrieval system, or transmitted, in any form or by any means, electronic, mechanical, photocopying, recording or otherwise, except as permitted by the UK Copyright, Designs and Patents Act 1988, without the prior permission of the publisher.

Designations used by companies to distinguish their products are often claimed as trademarks. All brand names and product names used in this book are trade names, service marks, trademarks or registered trademarks of their respective owners. The publisher is not associated with any product or vendor mentioned in this book. This publication is designed to provide accurate and authoritative information in regard to the subject matter covered. It is sold on the understanding that the publisher is not engaged in rendering professional services. If professional advice or other expert assistance is required, the services of a competent professional should be sought.

*Library of Congress Cataloging-in-Publication Data*

Easton, Suzanne.

Practical veterinary diagnostic imaging / Suzanne Easton. – 2nd ed.

p. ; cm.

Rev. ed. of: Practical radiography for veterinary nurses / Suzanne Easton. 2002.

Includes bibliographical references and index.

ISBN 978-0-470-65648-8 (pbk. : alk. paper) 1. Veterinary radiography.

2. Veterinary diagnostic imaging. I. Easton, Suzanne. Practical radiography for veterinary nurses. II. Title.

[DNLM: 1. Radiography--veterinary. SF 757.8]

SF757.8.E38 2012

636.089'607572--dc23

2012010602

A catalogue record for this book is available from the British Library.

Wiley also publishes its books in a variety of electronic formats. Some content that appears in print may not be available in electronic books.

Cover image: iStockphoto.com

Cover design by Steve Thompson

Set in 10/12.5pt Plantin by Aptara<sup>®</sup> Inc., New Delhi, India

# Contents

Figure Acknowledgements	xi
<b>1 Essential Mathematics and Physics</b>	<b>1</b>
Matter, energy, power and heat	1
Units and prefixes used in radiography	3
Radiological units	4
Useful mathematics	7
Proportions and the inverse square law	7
<b>2 The Principles of Physics Used in Radiography</b>	<b>11</b>
Electrostatics – the electric charge	12
Conductors and insulators	14
Electricity	14
Measuring electricity	14
Types of current	15
Laws of an electric current	16
Resistance	16
Making a circuit – the options	17
Magnetism	17
The function and composition of a magnet	19
Magnetic laws	20
Electromagnetism – electricity and magnetism in union	21
Laws of electromagnetic induction	22
Further reading	23
<b>3 Inside the Atom</b>	<b>25</b>
Atoms, elements and other definitions	26
The ‘Make-Up’ of an atom – atomic structure	27
Shells and energy	28
The periodic table	28
Radioactivity	30
The effects of an electron changing orbits	30
Electromagnetic radiation	31

Frequency and wavelength	32
Further reading	33
<b>4 The X-ray Tube</b>	<b>35</b>
The tube housing	37
The cathode	39
The anode	42
The line focus principle	44
The anode-heel effect	45
The stator assembly	45
Tube rating	46
How to look after your X-ray tube	47
Further reading	47
<b>5 Diagnostic Equipment</b>	<b>49</b>
The X-ray circuit	50
What is seen from the outside?	51
High-voltage generators	51
Rectification	51
Mains supply switch	52
Primary circuit	52
Operating console	53
Filament circuit – control of the mA	54
High-tension circuit – provision of kV	55
Making an exposure – switches, timers and interlocks	55
Types of X-ray machines	56
Health and safety requirements	59
Power rating	59
Further reading	59
<b>6 Production of X-rays</b>	<b>61</b>
Electron production	62
Target interactions	63
X-ray emission spectrum	64
Altering the emission spectrum	65
X-ray quantity	68
X-ray quality	68
Altering exposure factors	68
Exposure charts	70
Further reading	70
<b>7 The Effects of Radiation</b>	<b>71</b>
The effect of the X-ray beam striking another atom	72
Absorption	75
Attenuation	75



The effects of ionising radiation on the body	76
Luminescence	77
Further reading	78
<b>8 Control of the Primary Beam and Scatter</b>	<b>79</b>
Light beam diaphragm	80
Factors affecting scattered radiation	81
Function of grids	81
Construction of a grid	82
Types of grid	84
Choosing a grid	85
Problems with using a grid	85
Air gap technique	86
Further reading	86
<b>9 Radiographic Film</b>	<b>89</b>
Film construction	90
Types of film	93
Formation of the latent image	94
Care and storage of films	95
Film sensitivity	96
Further reading	98
<b>10 Intensifying Screens and Cassettes</b>	<b>99</b>
The construction of intensifying screens	100
Film–screen combinations	101
Film–screen contact	104
Care of intensifying screens	104
Construction of cassettes	105
Care and use of cassettes	106
Further reading	106
<b>11 Processing the Radiographic Film</b>	<b>107</b>
The stages of processing	108
Developer	111
Fixer	112
Parts of the automatic processor	114
Replenishment	116
Silver recovery	117
The darkroom	118
Control of substances hazardous to health (COSHH) regulations	121
Other methods of processing	121
Further reading	122

<b>12</b>	<b>Digital Radiography</b>	<b>125</b>
	Computed radiography	127
	Care of the imaging plate and cassette	129
	Computerised radiography process	129
	Digital radiography	131
	Image storage	133
	Image display	134
	Image quality	135
	Further reading	135
<b>13</b>	<b>Radiographic Image Quality</b>	<b>137</b>
	Sensitometry	138
	Densitometry	138
	Characteristic curve	139
	Latitude	140
	Density	141
	Contrast	141
	Magnification	144
	Distortion	144
	Movement	145
	Producing a high-quality radiograph	146
	Commonly seen film faults	147
	Further reading	152
<b>14</b>	<b>Radiation Protection</b>	<b>153</b>
	The effects of ionising radiation on the body	154
	The basics to remember	154
	Ionising Radiation Regulations 1999	155
	Radiation safety in the veterinary practice	155
	Classifying the areas around an X-ray machine	156
	Dose limits	157
	Monitoring devices	158
	Lead shielding	159
	Quality assurance	160
	Further reading	161
<b>15</b>	<b>Radiography Principles</b>	<b>163</b>
	General principles	164
	Restraint	164
	Positioning aids	165
	Markers and legends	165
	Assessing the radiograph	166
	Terminology	166
	BVA/KC hip dysplasia and elbow scoring scheme	168
	Further reading	169

<b>16</b>	<b>Contrast Media</b>	<b>171</b>
	Negative contrast medium	172
	Positive contrast medium	172
	Contrast examination procedures	175
	Myelography	182
	Other contrast examinations	184
	Further reading	186
<b>17</b>	<b>Small Animal Radiography Techniques</b>	<b>189</b>
	Chest	189
	Abdomen	191
	Head and neck	192
	Distal extremities	196
	Shoulder	198
	Pelvis	200
	Spine	201
	Small mammals	202
	Birds	203
	Reptiles	204
<b>18</b>	<b>Large Animal Radiography Techniques</b>	<b>205</b>
	Foot	205
	Fetlock	207
	Metacarpus and metatarsus (cannon and splint)	209
	Carpus	209
	Elbow	211
	Shoulder	212
	Tarsus	213
	Stifle	214
	Head	216
	Spine	216
	Chest	217
<b>19</b>	<b>Introduction to Ultrasound</b>	<b>219</b>
	Sound waves	220
	Ultrasound	220
	How ultrasound works	220
	Types of ultrasound scan	222
	Doppler ultrasound	223
	Effects on tissue	224
	Ultrasound machines and transducers	224
	Patient preparation	225
	Areas suitable for examination	225
	Further reading	226

<b>20 Advance Imaging Techniques</b>	<b>227</b>
Fluoroscopy	228
Computerised tomography (CT)	230
Magnetic resonance imaging (MRI)	232
Nuclear scintigraphy	234
Further reading	238
 Index	 239

### **Companion website**

This book is accompanied by a companion website:

[www.wiley.com/go/easton/diagnosticimaging](http://www.wiley.com/go/easton/diagnosticimaging)

The website includes:

- Case studies
- All figures as powerpoint slides
- Additional anatomy X-rays
- Guideline answers to the end-of-chapter Revision Questions found in the book

# Figure Acknowledgements

Figures 3.1, 3.4, 4.1, 7.3, 15.1 and 19.7

Aspinall, V. (2010) *Complete Textbook of Veterinary Nursing*, 2nd edn. Oxford: Elsevier.

Figures 4.4, 4.5 and 4.6

Bushong, S.C. (2004) *Radiological Science for Technologies: Physics, Biology and Protection*, 8th edn. St Louis: Mosby.

Figures 4.3, 6.6, 6.7, 6.8 and 8.1

Carter, P. (2007) *Imaging Science*. Oxford: Wiley-Blackwell.

Figures 5.5, 9.3, 9.5, 10.2, 12.2, 12.3, 12.4, 12.5, 12.6, 12.7, 12.8, 12.9 and 13.2

Easton, S. (2010) *An Introduction to Radiography*. Oxford: Churchill Livingstone.

Figures 1.1, 4.2, 4.8, 8.2, 8.3, 8.4, 8.5, 9.1, 9.2, 9.4, 11.2, 11.5, 12.1, 13.1, 13.5 and 13.6

Fauber, T. (2004) *Radiographic Imaging and Exposure*, 2nd edn. St Louis: Mosby.

Figures 2.7, 4.7 and 10.1

Graham, D., Cloke, P., Vosper, M. (2007) *Principles of Radiological Physics*, 5th edn. Edinburgh: Churchill Livingstone.

Figures 18.3, 18.4, 18.5, 18.6, 18.8 and 18.9

Han, C., Hurd, C. (2005) *Practical Diagnostic Imaging for the Veterinary Technician*, 3rd edn. St Louis: Mosby.

Figures 17.3, 17.4, 17.6, 17.7, 17.9, 17.10, 17.12, 17.14 and 17.15

Lavin, L. (2007) *Radiography in Veterinary Technology*, 4th edn. St Louis: Mosby.

Figures 18.1, 18.2, 18.7, 18.10 and 18.11

Mendenhall, A., Cantwell, H.D. (1988) *Equine Radiographic Procedures*. Philadelphia: Lea and Febiger.

Figures 3.3, 6.3, 6.4, 7.1, 7.2 and 15.2

Thrall, D. (2002) *Textbook of Veterinary Diagnostic Radiology*, 4th edn. Philadelphia: W.B. Saunders.

Figures 19.1, 20.3, 20.6 and 20.9

Patel, P.R. (1997) *Lecture Notes on Radiology*. Oxford: Blackwell Science.

Figures 5.1, 5.3 and 5.4

Xograph Healthcare Ltd. and Cave Veterinary Specialists.

# Chapter 1

## Essential Mathematics and Physics

### Chapter contents

Matter, energy, power and heat  
Units and prefixes used in radiography  
Radiological units  
Useful mathematics  
Proportions and the inverse square law

### Introduction

This chapter introduces and explores the principles of mathematics and physics that will make following chapters and the principles of radiography easier to understand. Although many of the concepts introduced in this chapter are only for revision, they are relevant to later chapters.

### Matter, energy, power and heat

#### *Matter*

The entire world is made up of matter. Anything that occupies space can be termed 'matter'. Matter is a collection of atoms, the basic building blocks. All matter has mass, that is, the measure of matter in an actual object. If gravity is involved, this mass is known as the weight of an object. If an object is placed in a lesser gravitational field, such as the atmosphere on the moon, the mass will remain the same, but the weight will decrease. The weight will also change if the object changes form, but, again, the mass will remain the same. An example of this is water in its three forms – solid (ice), liquid (water) and gas (steam). In these three forms, the mass is the same throughout, but the weight changes considerably.

<b>Matter</b>	<b>A collection of atoms and molecules</b>
<b>Mass</b>	<b>The measure of matter in an object</b>
<b>Weight</b>	<b>Mass under the influence of gravity</b>

## Energy

The process of matter altering its state or form produces energy. Any object, however large or small, that is able to do 'work' is said to have energy. Energy has a number of different forms. Energy can be neither created nor destroyed, although it can change from one form to another (Table 1.1).

**Total energy is measured in joules (J):**

$$\text{Total energy} = \text{Potential energy} + \text{Kinetic energy}$$

**Table 1.1** Energy types, definitions and examples.

Energy type	Description	Example
Potential	The amount of work an object could do because of its position	An axe raised, ready to be brought down to chop, has potential energy
Kinetic	As an object leaves its state of potential energy, it gains kinetic energy	An apple gains kinetic energy as it falls out of a tree
Electrical	The movement of electrons inside a conductor after the application of a potential difference	The movement of electrons in a cable produces the electrical energy needed to make a bulb light up
Nuclear	Nuclear energy is the energy stored within the nucleus of an atom	This energy is formed when the nucleus of an atom is split
Thermal	The energy of a hot object. This is caused by the vibration of molecules within matter	A hot bath has faster moving molecules than a cool bath
Sound	The energy produced by sound vibrations	A musical instrument, engine noise, speech, thunder, diagnostic ultrasound, sonar
Chemical	The energy generated when a reaction occurs between two substances	Thermal energy produced when water is added to hot oil
Electromagnetic	Electric and magnetic energy moving in waves	X-ray production, radio waves, infrared light

### *Energy conversion*

As energy cannot be created or destroyed, it changes form, and this process is known as energy conversion.

In radiography, the X-ray tube is an example where energy is converted from one form (electrical) into other forms (X-rays, heat, light). We also use ultrasound where an ultrasound transducer converts



electrical energy into sound energy, and the reflected sound energy is converted back into electrical energy.

### Power

Power is the rate of doing work or the rate of transforming energy. This is measured in joules per second or watts. In radiography, due to the amount of energy transformation occurring, power is measured in thousands of watts or kilowatts (kW). A typical X-ray room will have a 50-kW generator to supply electric power to the X-ray equipment.

**Power is measured in joules per second ( $\text{J s}^{-1}$ ) or watts (W).**

### Heat

Heat is the total energy of atoms and molecules moving in matter. The average speed of movement is known as temperature. Heat always flows from hot to cold until an equilibrium is reached. This movement can occur through three different methods – convection, conduction and radiation (Table 1.2). The rate of heat loss or transfer will depend on the type of surface material and the difference between the two areas of heat. This is utilised in an X-ray tube through the choice of material used for the anode and the colour of the tube head (black).

**Table 1.2** Definitions of conduction, convection and radiation.

Convection	This occurs in liquids and gases. The matter moves, taking the heat with it. This occurs because of the reduction in density associated with heating. Hotter material rises and displaces cooler material above. This is the principle behind surrounding an X-ray tube in oil as a cooling technique.
Conduction	This is found in metals. The heat is transferred through contact, with heat flowing from the hot area to the cooler area. This principle is used in the anode and stem of the X-ray tube.
Radiation	Vibrating molecules on the surface of matter generate electromagnetic waves. Energy in the form of heat leaves the surface and transfers the energy to whatever it strikes. This is most effective in a vacuum.

## Units and prefixes used in radiography

The use of scientific terminology in radiography is based on standardised units and prefixes to abbreviate large or very small numbers. It also provides an international language amongst radiographers. The

use of standardised units extends to the description of units of measure and the identification of units of ionising radiation.

### *Standard scientific notation*

Radiography uses both very large units and very small units. Examples of this are the 100,000 volts necessary to radiograph a chest and the 0.004 amperes (amps) needed to demonstrate a cat's carpus. These are two of the core units used in radiography and are described as kilovolts (kV) and milliamperes (mA). Using this notation, 100,000 volts is described as 100 kV and 0.004 amperes as 4 mA. Where large numbers are used, the numbers can also be described as exponents. Exponents describe numbers as multiples of ten (the system most widely used in everyday life is the decimal system; see Table 1.3).

**Table 1.3** Standard scientific notation, prefixes and symbols.

Notation	Decimal number	Prefix	Symbol
$10^9$	1,000,000,000	giga-	G
$10^6$	1,000,000	mega-	M
$10^3$	1000	kilo-	k
$10^2$	100	hecto-	h
$10^1$	10	deka-	da
$10^{-1}$	0.1	deci-	d
$10^{-2}$	0.01	centi-	c
$10^{-3}$	0.001	milli-	m
$10^{-6}$	0.000001	micro-	$\mu$

### *SI base units*

In order to maintain a common radiographic language, the units used as a baseline for measurements and discussions need to be standardised. Radiography uses the International System of Units or 'SI'. Problems would occur if the focus-to-film distance was given in metres on the practice exposure chart and the veterinary nurse carrying out examinations worked in inches. The base units in Table 1.4 are the units used to calculate more complicated measures such as speed ( $\text{m s}^{-1}$ ) or force ( $\text{kg m s}^{-2}$ ). There are seven base units from which all other units are derived.

## **Radiological units**

Radiology has a number of units specific to the field that are in common use (see Table 1.5). These are all related to the measurement of the production of X-rays and the effect of the energy produced, and

**Table 1.4** SI units used in radiography.

Term	SI unit	Definition	Application to radiography
Energy	Joule J	Ability to do work	Production of X-rays
Mass	Kilogram kg	A measure of the number of atoms and molecules in a body	Important when determining the radiation dose to a patient
Gray	Joules per kilogram Gy	Energy imparted to a body by ionising radiation	Unit of radiation dose measurement
Power	Joules per second W	Rate of doing work	Output of X-ray generator
Electric current	Ampere A	Movement of electrons flowing per unit time	Quantity of electrons flowing per unit time
Electric charge	Coulomb C	One ampere flowing per second	Quantity of electrons flowing per second
Electrical potential	Volt V	The force that moves electrons within a conductive material	Potential difference across an X-ray tube, acceleration of electrons and quality of X-ray beam
Frequency	Hertz Hz	Number of cycles per second	Electromagnetic radiation

**Table 1.5** Radiological units.

Unit	Description	Symbol
kV <sub>p</sub>	Maximum energy of X-ray photons	kV <sub>p</sub>
mA (mAs)	Electron production in the X-ray tube	mA
keV	Kinetic energy of electrons in X-ray tube	keV
Heat unit	Heat produced at anode (kV <sub>p</sub> × mAs)	HU
Gray	Dose absorbed by a medium	Gy
Sievert	Dose equivalent	Sv
Coulomb/kilogram	Measure of atmospheric exposure	C/kg
Becquerel	Radioactive disintegrations per second	Bq

used in diagnostic imaging. The units are mainly used in assessing and maintaining radiation safety or when discussing the use of the X-ray tube.

$kV_p$

The potential difference between the cathode and anode in an X-ray tube is measured in kilovolts. This value determines the maximum energy of the X-ray photons emitted that will give the quality and

intensity of the beam. In many machines, this value may fluctuate and so the peak value is given ( $kV_p$ ).

### *mA/mAs*

In the production of X-rays, fast-moving electrons must strike the anode within the X-ray tube. To produce these electrons, an electrical current must be applied to the cathode. This is measured in milliamperes (mA). These electrons could be produced continuously, but this would cause damage to the tube and so the production of electrons is limited to a period of time (exposure time). The exposure time is expressed in mAs or milliamperes per second.

### *keV*

As an electron is accelerated across the tube from the cathode to the anode, it gains kinetic energy. This is measured in keV. The keV will be the same as the  $kV_p$ .

### *Heat units*

The production of X-rays produces heat at the anode. The amount of heat is specific to each exposure and can be calculated by multiplying  $kV_p$  and mAs together. This is correct only if the voltage and current remain constant throughout the exposure.

### *Absorbed dose*

The dose absorbed by the patient is measured in gray (Gy). This is specific to the patient dose received and will vary according to the exposure used and the region being examined. The absorbed dose is the measurement of the energy absorbed by a medium.

<b>1 gray = 1 joule per kilogram</b>
--------------------------------------

### *Dose equivalent*

The dose received by designated people working with radiation (dose equivalent) is measured in sieverts (Sv). This measurement is calculated by multiplying the grays received by a quality factor. The quality factor will take into account the different levels of damage caused by radiation and will alter depending on the type of ionising radiations and the energy of the ionising radiation. The dose equivalent is

calculated from monitoring devices worn by personnel working with radiation.

### *Exposure in air*

The amount of radiation in the atmosphere can be measured in coulomb/kilogram (C/kg). This measure of radiation can only be used for air and for X-rays or gamma rays within this air. The measure gives the total electric charge formed by ionisation in air. This can be used for X-rays emerging from the tube or the intensity of gamma rays during a scintigraphic examination.

### *Activity*

The final radiographic unit is the becquerel (Bq). Radioactive substances have unstable nuclei and try to change the structure of the nucleus to a more stable form. Each change in structure is called disintegration. The becquerel measures the number of changes per second.

## **Useful mathematics**

Day-to-day radiography involves mathematics. This may be simple addition or multiplication, but can also involve fractions and ratios. As a simple 'aide memoir', this section demonstrates the basic mathematics essential to radiography in Table 1.6, where  $a$  and  $b$  denote any number and  $x$  is any number that you wish to calculate.

## **Proportions and the inverse square law**

### *Proportions*

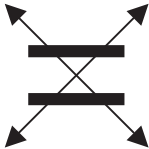
Measurements can be either directly or indirectly proportional. If two measurements are directly proportional, the ratio of one to the other is constant:

$$\frac{a}{b} = \text{constant}$$

If something is described as being inversely proportional, the factors will be inverted. As one factor increases, the other will decrease, or vice versa:

$$a \times b = \text{constant}$$

**Table 1.6** Useful mathematics.

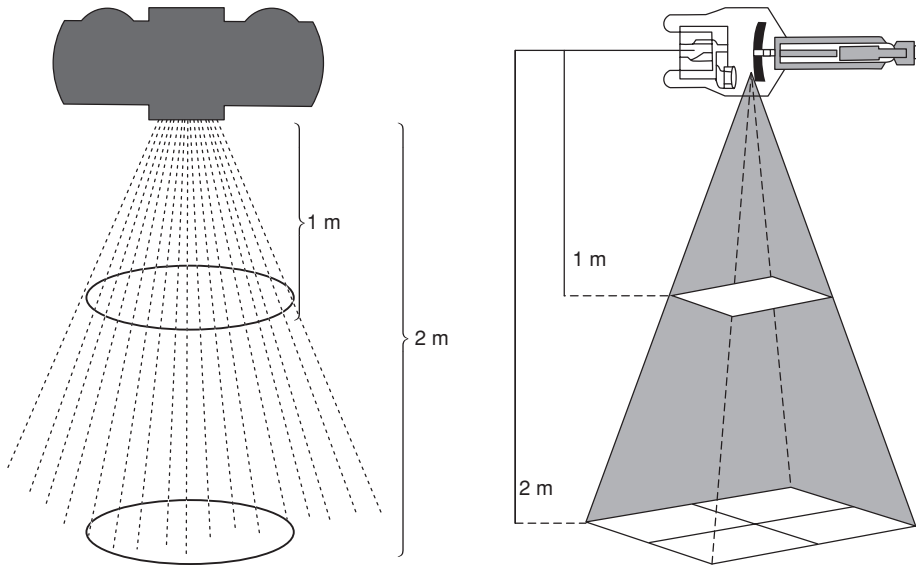
Description	How to do it
Percentage change	$100 \times (b - a/a)$
Percentage of $b$ compared to $a$	$100b/a$
$x\%$ of $a$	$(x/100) \times a$
Parts of a fraction	$\frac{\text{Numerator}}{\text{Denominator}} = \frac{a}{b}$
Adding and subtracting fractions	Find a common denominator and then add or subtract the numerators
Multiplying fractions	Multiply numerators and denominators
Dividing fractions	Turn the second fraction upside down and then multiply
Ratio	Demonstrates the relationship between two related measures kV : X-rays produced
Decimal	A fraction that has a denominator that can be divided by ten can be shown as a decimal: $5/10 = 0.5$
To calculate $x$ when $a$ and $b$ are known: divide both known numbers by the multiple of $x$	$ax = b$ $ax/a = b/a$ $x = b/a$
When a known number is added to $x$ : subtract the known number from both sides	$x + a = b$ $x + a - a = b - a$ $x = b - a$
When $x$ is part of a fraction: cross multiply	$x/a = b/c$ $xc = ab$ $x = ab/c$
Cross multiplication	

### *Inverse square law*

The intensity of radiation from a given point is inversely proportional to the square of the distance between that point and the source. This means that the greater the distance between the two points, the weaker the intensity. This plays an important role in radiation safety. The greater the distance between you and the source of radiation, the lower the dose you will receive:

$$I \propto 1/d^2$$

The effect distance has on the exposure is determined by the inverse square law. As the distance of the object from the source increases, the intensity of the radiation will decrease. If you double the distance, the exposure intensity decreases by 4. This can be seen in a similar way using a torch beam. The closer the wall is to the torch beam, the stronger the intensity of the beam against the wall. As you move away from the wall, the beam will be weaker when it hits the wall (Figure 1.1).



**Figure 1.1** The inverse square law.

### Revision questions

- 1 How are mass and matter related?
- 2 What is weight?
- 3 List and give examples of three types of energy.
- 4 What is 30,000 volts in kilovolts?
- 5 What is 4.5 mA in decimal notation?
- 6 What name is given to the unit of measure for time?
- 7 Give the measure of absorbed dose and describe what the measurement demonstrates.
- 8 Describe the calculation of a becquerel.
- 9 What is the symbol for a sievert?

*(continued)*

**10** What is a ratio?

**11** Add  $\frac{4}{5}$  to  $\frac{3}{7}$ .

**12** Divide  $\frac{3}{10}$  by  $\frac{1}{8}$ .

**13** Work out the following equations:

$$x + 10 = 37$$

$$4x = 24$$

$$x/8 = 3/4$$

**14** If  $a$  is inversely proportional to  $b$ , what will happen to  $a$  if  $b$  doubles?

**15** Using the inverse square law and thinking about an X-ray beam, if you double your object–source distance, what will happen to the intensity and size of the beam when it reaches the object?



## Chapter 2

# The Principles of Physics Used in Radiography

### Chapter contents

Electrostatics – the electric charge  
Conductors and insulators  
Electricity  
Measuring electricity  
Types of current  
Laws of an electric current  
Resistance  
Making a circuit – the options  
Magnetism  
The function and composition of a magnet  
Magnetic laws  
Electromagnetism – electricity and magnetism in union  
Laws of electromagnetic induction  
Further reading

### Key points

- *Electric charge*: Current  $\times$  time
- An object becomes charged by the addition or removal of electrons. This can be caused by friction, contact or induction
- *Laws of electricity*: Unlike charges attract, and like charges repel. When an object becomes charged, the charges are spread evenly throughout the object
- Potential energy of electricity is measured in volts (V)
- *Conductors* allow easy flow of electrons
- *Insulators* resist the flow of electrons
- *Currents and circuits*: Electrons flow on the outer surface of a wire. If the wire is in contact at both ends, an electrical circuit is made. The number of electrons flowing in this circuit is measured in amperes (A)
- *Direct current*: Electrons flow in one direction along the conductor

- *Alternating current*: Electrons flow in one direction and then in the other direction
- *Magnetism*: A charged moving particle creates a magnetic field. The electrons around the nucleus can be orientated in the same direction using a magnet. Magnetic force will always flow from south to north
- *Magnetic laws*: Opposites attract. Non-magnetic materials can be made magnetic through induction (bringing them into the magnetic field around a magnetic material). Every magnet, however small, will have two poles
- *Electromagnetic induction*: The production of electricity in a magnetic field

## Introduction

Although the essential use of electricity is immediately obvious in radiography – the conversion of electrical energy into electromagnetic energy – it also has a subtle role, which is not always considered immediately. Electricity and magnetism are both utilised in the stages leading up to the current and potential difference being available for use in the correct form within the X-ray tube. If the two concepts are not understood and related back to the processes involved in the production of X-rays, understanding of technical and practical procedures will not be possible.

## Electrostatics – the electric charge

This imposing term is used to describe the study of electrical charges. These charges are all around and experienced daily. These static electrical charges are seen in many forms – as discharges during storms, and from lightening through to uncontrollable hair after it has been washed! Electric charges are either positive or negative, depending on the material and how they are formed, and like charges always repel each other (Figure 2.1).

### *Creating an electric charge*

An electric charge is created when a negatively charged electron is removed from a positive proton in the nucleus of an atom. The electron removed is a free electron that is very loosely bound to the atom and easy to remove. The simplest way to remove these free electrons is through friction. Other methods of electron removal include heat, which is the method used in the X-ray tube, and induction, the use